

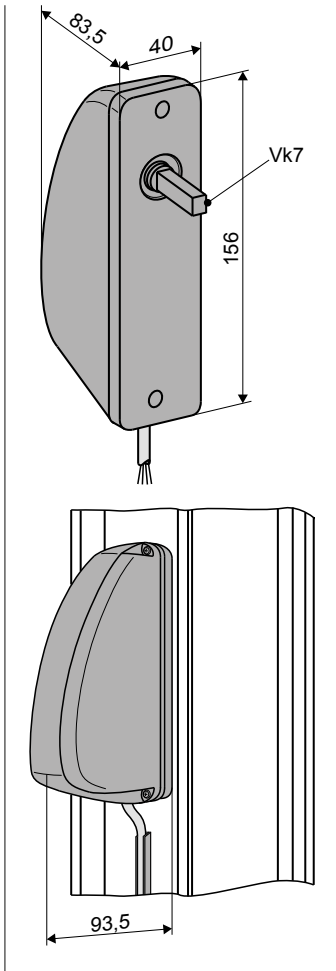


### SPECIAL FEATURES OFV1 / OFV1 M-COM

- For natural ventilation, smoke and heat exhausting and ferralux® NRWG (EN12101-2)
- Distinguishing marks:
  - Internal load dependent cut-off switch and sequence control for drives PL6 S1 / PL10 S1 as well as for drives type S2 / S3 / S12
  - Version **OFV1 M-COM** with M-COM suitable internal load dependent cut-off switch and sequence control for drives S3 /S12 (star wiring, drive current does not run over OFV1 (SW-V2 M-COM), sequence control via communication wire)
  - Rotating angle adjustable to 90° / 180°
  - Opening direction sectable to right / left turning
- Mounting on the gear of window handl of inward opening casements instead of the manual handl
- Square shaft activates the window multi-point locking systems via gear of the window handl
- Robust corrosion-resistant design in a plastic housing
- Easy installation due to concealed holes
- Concealed cable connection terminals and DIP-switches for settings

For this product series, a Type III Environmental Product Declaration (EPD) was issued according to ISO 14025 and EN 15804. The LCA results of the different product types are listed at the end of this product catalogue. The EPD documents can be viewed or downloaded from our homepage [www.aumueller-gmbh.de](http://www.aumueller-gmbh.de).

- With Internal Intelligent Control Electronics and sequence control for drives PL6 S1 / PL10 S1 as well as for drives type S2 / S3 / S12 (I max. 3 A, drive current runs over OFV1 – undercurrent detection)
- Two adjustable rotation angles: 90° / 180°
- Opening direction selectable: right / left turning
- Square shaft adapter 7x55 mm

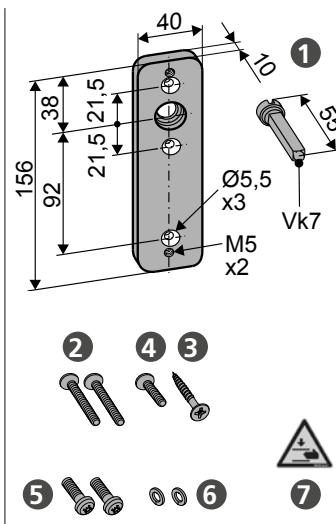


**TECHNICAL DATA**

<b>U<sub>N</sub></b>	Rated voltage	24V DC (19V ... 28V)
<b>I<sub>N</sub></b>	Rated current	0,8 A
<b>I<sub>A</sub></b>	Cut-off current	1,1 A
<b>I<sub>0</sub></b>	Quiescent current	< 28 mA (10 Nm)
<b>I<sub>b</sub></b>	Current of connected drives	S1: max. 0,9 A
<b>P<sub>N</sub></b>	Rated power	19 W
<b>DC</b>	Duty cycle	5 cycles (ED 30 % - ON: 3 min./OFF: 7 min.)
	Protection rating	IP 32
	Ambient temperature range	-5 °C ... + 60 °C
<b>M</b>	Torque max.	10 Nm
<b>F<sub>H</sub></b>	Initial torque	22 Nm
	Rotating angle direction	yes (self-learning)
	Rotating angle	90 ° / 180° (right / left)
<b>t</b>	Runtime	90° - 4,5 s; 180° - 9,0 s
<b>s</b>	Connecting cable	non-halogen, grey 4 x 0,75 mm <sup>2</sup> , ~ 3 m
	Housing	ABS, greywhite
<b>L</b>	Dimensions (B x H x T)	40 x 156 x 83,5 mm
	Sound pressure level	≤ 70 dB (A)

**In delivery**

1	1x Mounting plate with Vk7x55
2	2x Countersunk screw M5x40
3	1x Spax-Countersunk screw 4,5x30
4	1x Countersunk screw M5x16
5	2x Head screw M 5 x 16
6	2x Spring rings
7	1x Warning label

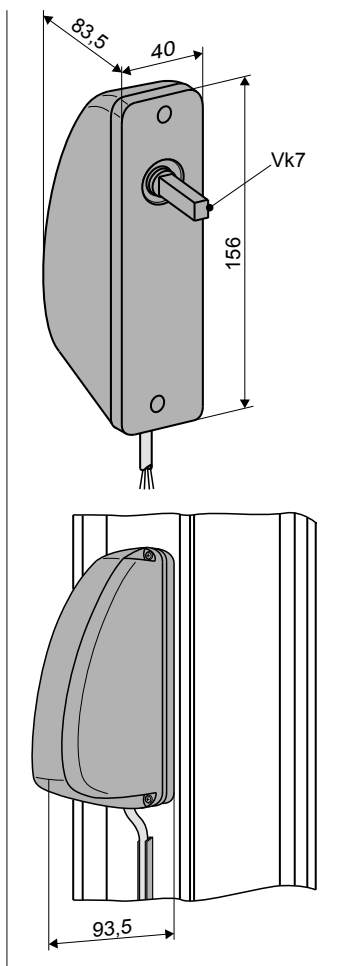


**ORDER DATA**

Version	PU/pcs.	Part.-No.			
OFV1	1	513850			

- With Internal Intelligent Control Electronics and sequence control for drives type S3 / S12
- Two adjustable rotation angles: 90° / 180°
- Opening direction selectable: right / left turning
- Square shaft adapter 7x55 mm

- M-COM suitable internal Control Electronics and sequence control for drives S3 / S12
- Star wiring
- Current of the drives does not run over OFV1 (SW-V2 M-COM)
- Sequence control via communication wire

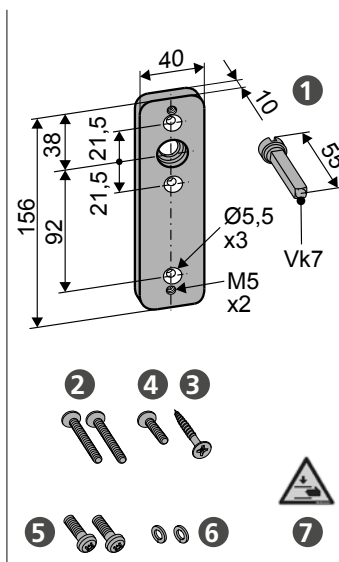


### TECHNICAL DATA

<b>U<sub>N</sub></b>	Rated voltage	24 V DC (19 V ... 28 V)
<b>I<sub>N</sub></b>	Rated current	0,8 A
<b>I<sub>A</sub></b>	Cut-off current	1,1 A
<b>I<sub>0</sub></b>	Quiescent current	< 28 mA (10 Nm)
	Connected drives (Opener drive)	with S3 / S12
<b>P<sub>N</sub></b>	Rated power	19 W
<b>DC</b>	Duty cycle	5 cycles (ED 30 % - ON: 3 min./OFF: 7 min.)
	Protection rating	IP 32
	Ambient temperature range	-5 °C ... + 60 °C
<b>M</b>	Torque max.	10 Nm
<b>F<sub>H</sub></b>	Initial torque	22 Nm
	Rotating angle direction	yes (self-learning)
	Rotating angle	90 ° / 180° (right / left)
<b>t</b>	Runtime	90° - 4,5 s; 180° - 9,0 s
<b>s</b>	Connecting cable	non-halogen, grey 3 x 0,5 mm <sup>2</sup> , ~ 3 m
	Housing	ABS, greywhite
<b>L</b>	Dimensions (B x H x T)	40 x 156 x 83,5 mm
	Sound pressure level	≤ 70 dB (A)

### In delivery


- 1x Mounting plate with Vk7x55
- 2x Countersunk screw M5x40
- 1x Spax-Countersunk screw 4,5x30
- 1x Countersunk screw M5x16
- 2x Head screw M 5 x 16
- 2x Spring rings
- 1x Warning label



### ORDER DATA

Version	PU/pcs.	Part.-No.			
OFV1 M-COM	1	513860			

## OPTIONAL ACCESSORIES

Main control unit			
M-COM		<p><b>Application</b></p> <p><b>Configuration module</b> for automatic configuration and surveillance of max. 4 opening drives / 2 locking drives version S12 / S3 in synchronised multi-drive systems</p> <p><b>Rated voltage:</b> 24 V DC (19 V ... 28 V)</p> <p><b>Current consumption:</b> &lt;12 mA</p> <p><b>Drive type:</b> S12</p>	<p><b>Part-No. 524177</b></p> <p><b>Protection rating</b> IP30 rubber coated</p> <p><b>Ambient temperature range</b> 0 °C ... + 70 °C</p> <p><b>Dimensions</b> 45 x 17 x 6 mm</p> <p><b>Connecting wires</b> 3 wires 0,5 mm<sup>2</sup> x 50 mm</p> <p><b>Feature/Equipment</b> Printed circuit board with components and connection wires to be installed in connection box to be supplied on site</p>